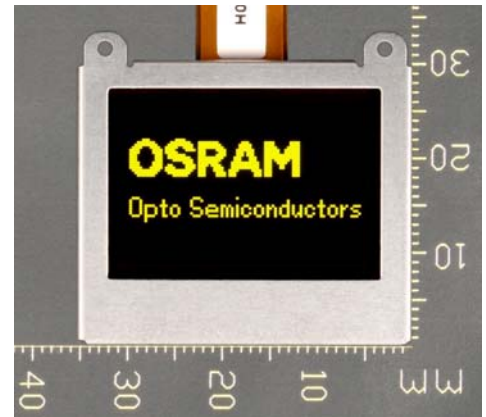


OLED DISPLAY SOLUTIONS

Pictiva™ 1.2-inch 96x64 OLED display



OS096064PK12Mxxx0x

Features

- Long-lifetime OLED
- 180° viewing angle
- Fast response, video capable
- High contrast
- Wide operating temperature range
- RoHS compliant on selected models

Benefits

- Ease of readability
- No backlight required
- Low power consumption

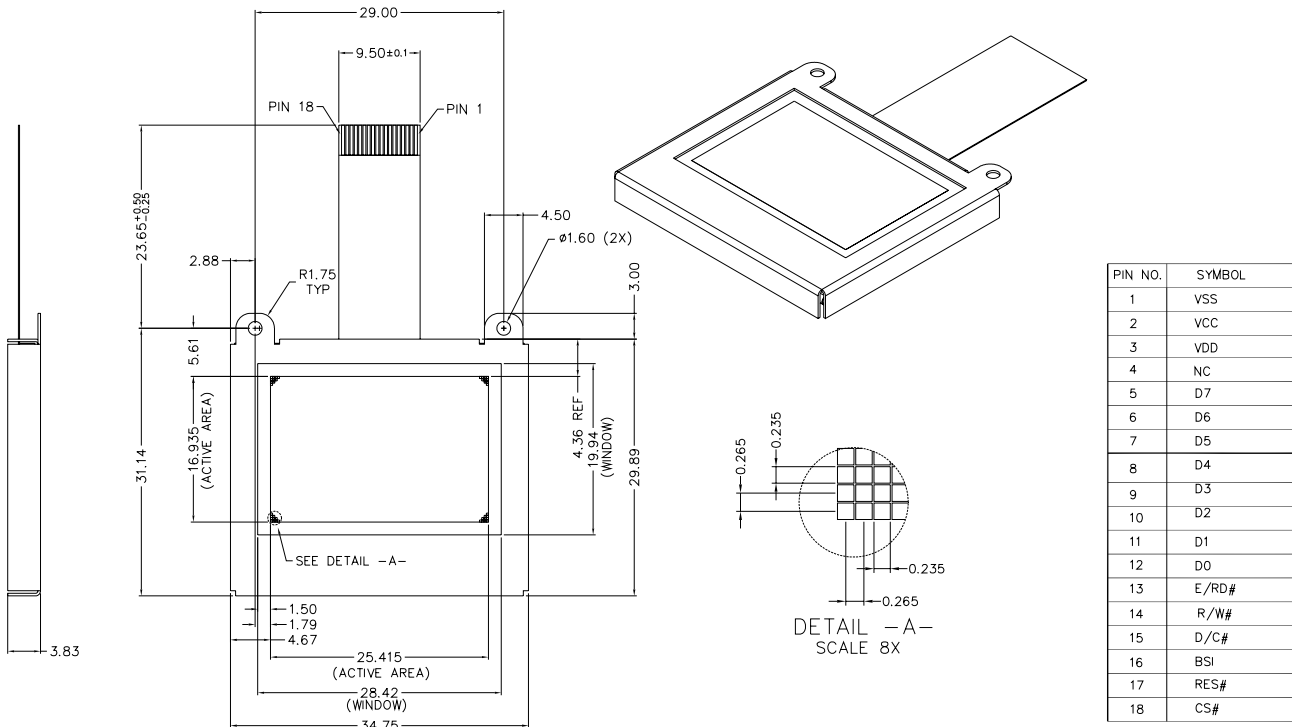
Applications

- Audio/Video
- Entertainment
- Industrial
- Medical
- Instruments

Specifications

Display Format	96 Columns x 64 Rows				
Diagonal	1.2 inch				
Pixel Pitch	0.265 (W) x 0.265 (H) mm				
Color, Luminance & lifetime	Color	CIE x	CIE y	Cd/m ²	Lifetime hrs, 25°C
	Elegance Yellow	0.46	0.54	100	40K
				200	10K
	Lime Green	0.37	0.62	150	10K
Tiger Orange	0.63	0.37	60	10K	
Grayscale	4 bit				
Active Area	25.42 (W) X 16.94 (H) mm				
Module Size	34.75 (W) X 32.89 (H) X 3.83* mm (T) *including bezel				
Viewing Angle	180°				
Contrast Ratio	2000:1 dark ambient				
Temperature	-30°C to 70°C				
Logic Voltage	2.4V – 3.5V				
Supply Voltage	12V				
Power Cons.	0.05 mW (sleep mode)				
Interface	Parallel/Serial				
Driver	SSD0323				
Weight	4.6g typical				

Mechanical Dimensions and Pin Description



Ordering Information

Part Number	Order Number	Description
OS096064PK12MYOZ00 *	Q65110A5715	Pictiva™ 1.2 inch 96x64 OLED Display, Elegance Yellow
OS096064PK12MYOA01	Q65110A1670	Pictiva™ 1.2 inch 96x64 OLED Display, Elegance Yellow
OS096064PK12MG1A00	Q65110A3431	Pictiva™ 1.2 inch 96x64 OLED Display, Lime Green
OS096064PK12MO1A00	Q65110A3433	Pictiva™ 1.2 inch 96x64 OLED Display, Tiger Orange

Note : * RoHS compliant product

Contact Information

OSRAM Opto Semiconductors

Asia : +60(0) 4 631-8100 prasia@osram-os.com
 Europe : +49(0) 941-850-3535 pr@osram-os.com
 North America : +1-888-446-7726 ext.4310 info@osram-os.com
 Web : www.pictiva.com